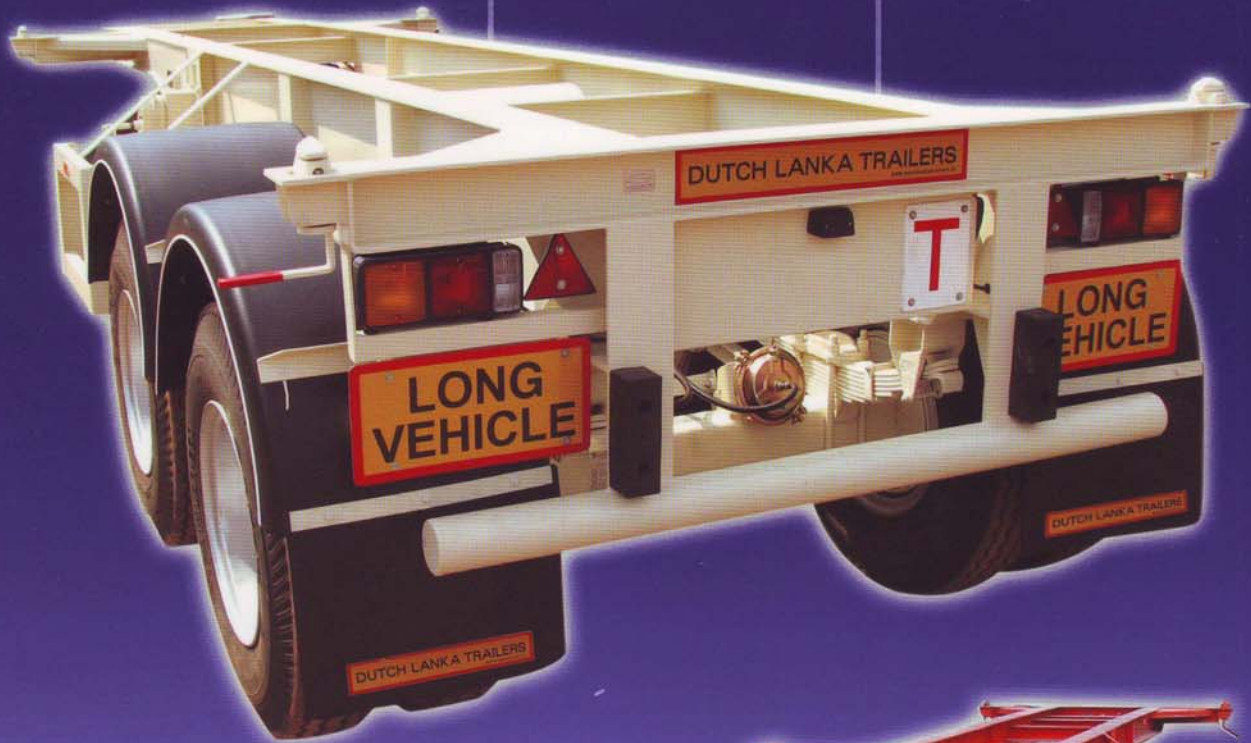
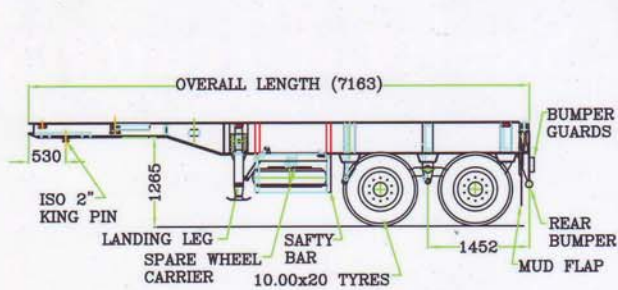


# Skeletal Trailers

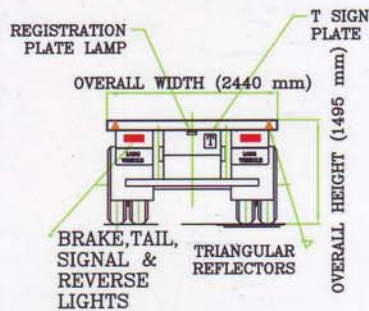
Skeletal Trailers are useful in the transportation of containerized cargo. These are also used to transport mounted tanks, mobile container offices etc.



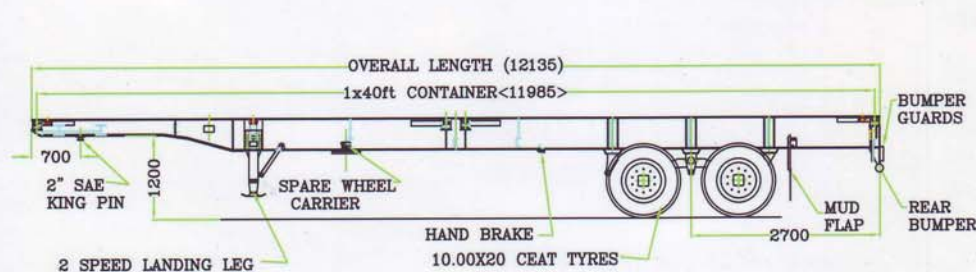
# SKELETAL TRAILERS



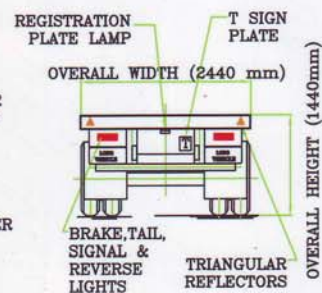
SIDE ELEVATION



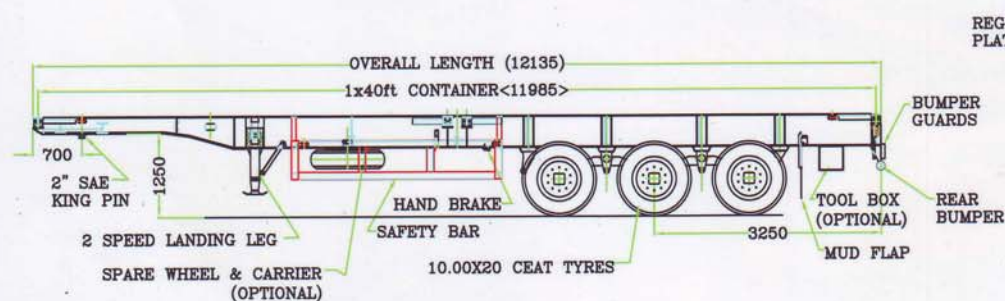
REAR ELEVATION



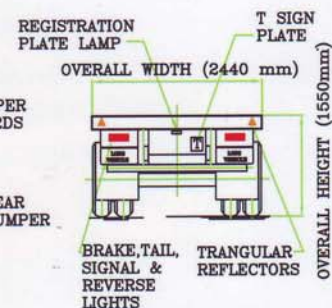
SIDE ELEVATION



REAR ELEVATION



SIDE ELEVATION



REAR ELEVATION



**Dutch Lanka Trailer  
Manufacturers Ltd**

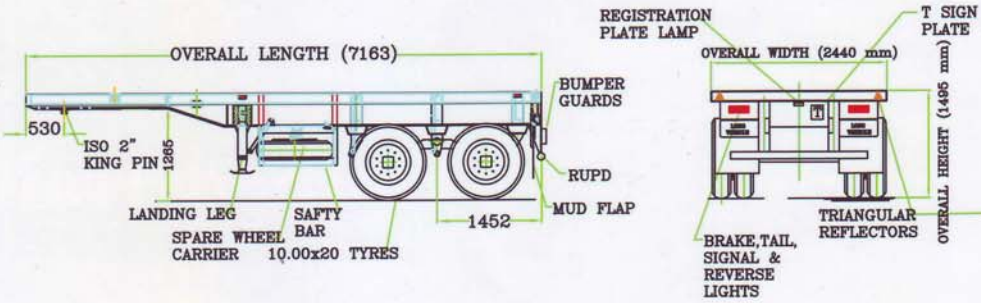
No. 32, Wijayarama Road, Gonawala, Kelaniya, Sri Lanka.  
Tel.: +94-11-2914206 / 2917539 / +94-11-2914505 Fax: +94-11-4408763  
E-mail: dlt@sltnet.lk  
[www.dutchlankatrailers.lk](http://www.dutchlankatrailers.lk)

# Flatbed Trailers

Flat bed trailers can be used for transporting loose cargo or containerized cargo. It can also be customized for many special requirements such as the transportation of bagged cement, asbestos sheets, piped & steel coil, gas bottle, generator, and barrel.



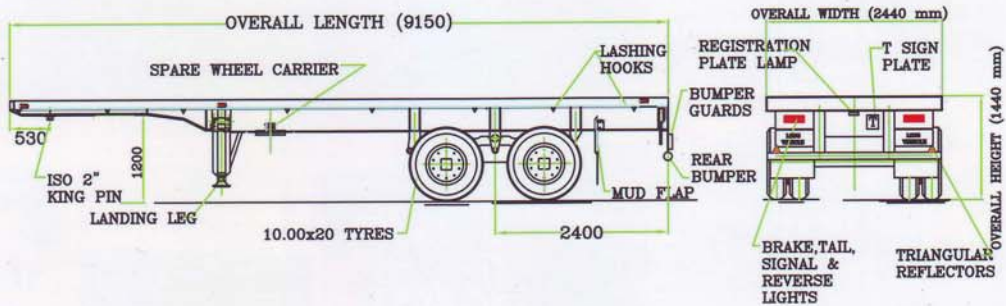
# FLATBED TRAILERS



SIDE ELEVATION

REAR ELEVATION

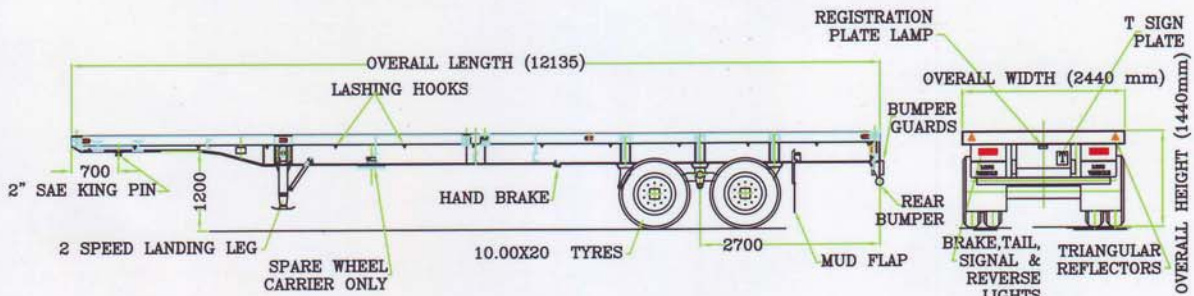
20FT



SIDE ELEVATION

REAR ELEVATION

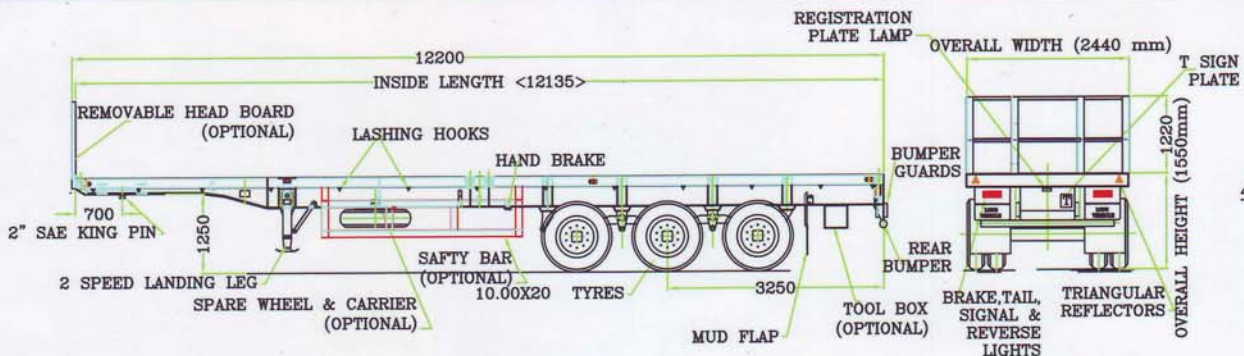
30FT



SIDE ELEVATION

REAR ELEVATION

40FT



SIDE ELEVATION

REAR ELEVATION

40FT



**Dutch Lanka Trailer  
Manufacturers Ltd**

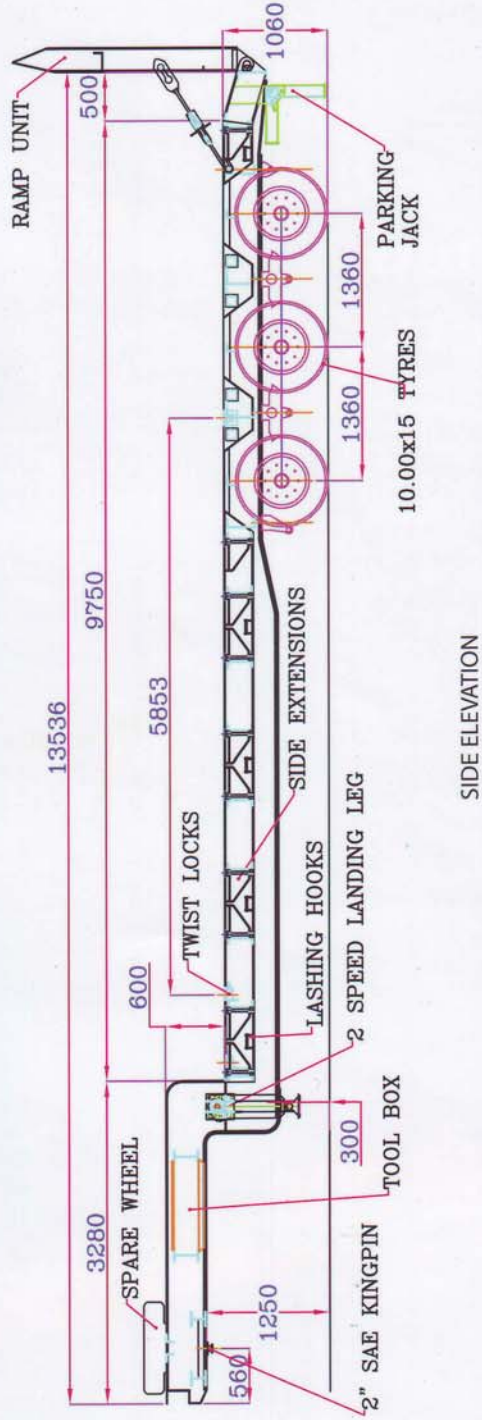
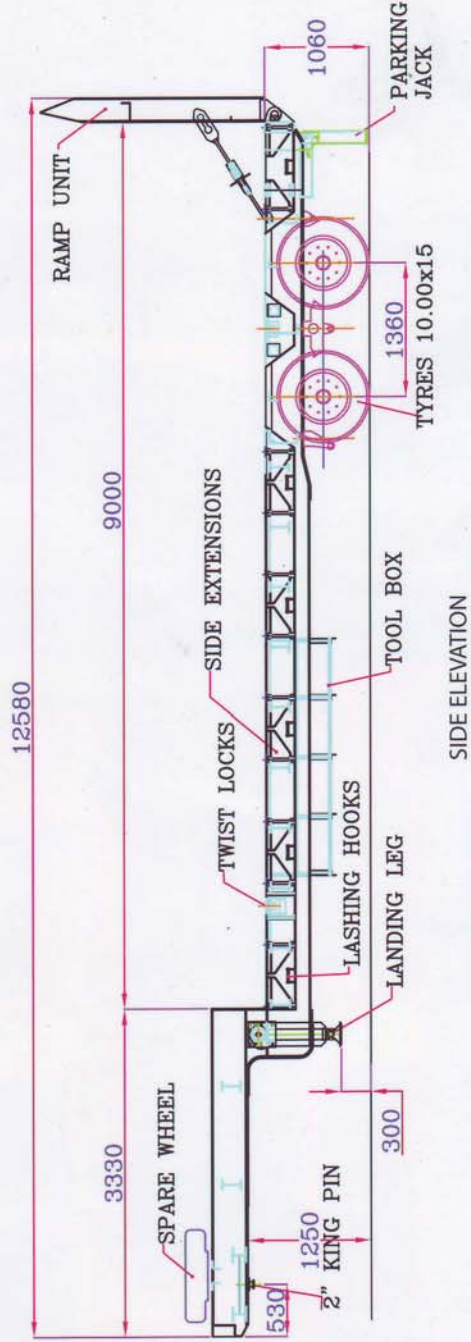
No. 32, Wijayarama Road, Gonawala, Kelaniya, Sri Lanka.  
Tel.: +94-11-2914206 / 2917539 / +94-11-2914505 Fax: +94-11-4408763  
E-mail: dlt@sltnet.lk  
www.dutchlankatrailers.lk

# Lowbed Trailers

Low bed trailers are specifically designed to transport heavy cargo such as earth moving equipment, heavy machinery, military hardware, tankers, generators and other over size cargo. Whilst lashing hooks and pulley wheels are standard fittings in low bed trailers, side extensions could be provided as per customer requirements. Rear loading ramps which operate manually or hydraulically are also available on requirement. Customized low bed trailers with "detachable goose neck" for front loading is also within our range. Most Low bed trailers are manufactured as per customer requirements where length, width and height can be customized.



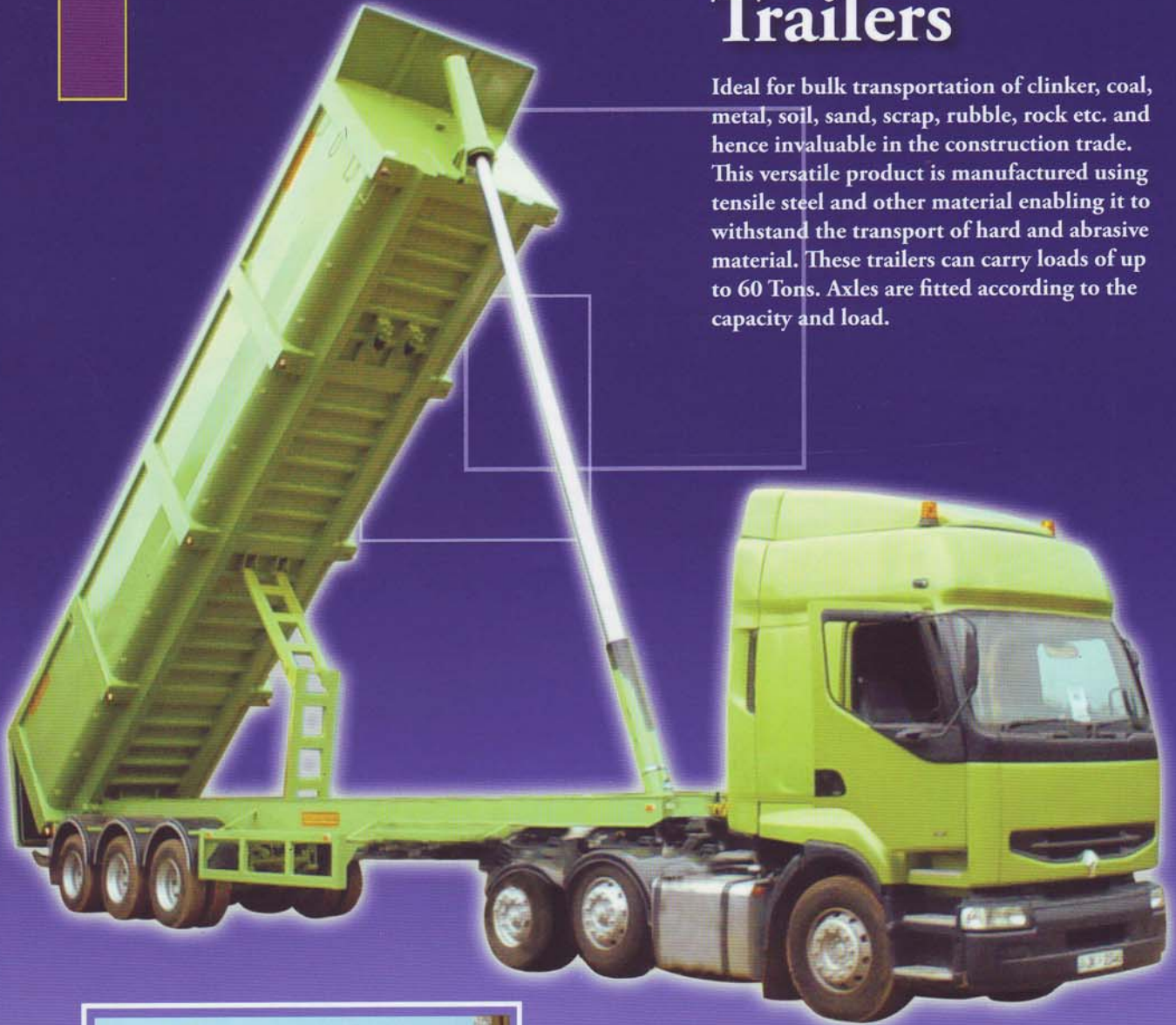
# LOWBED TRAILERS



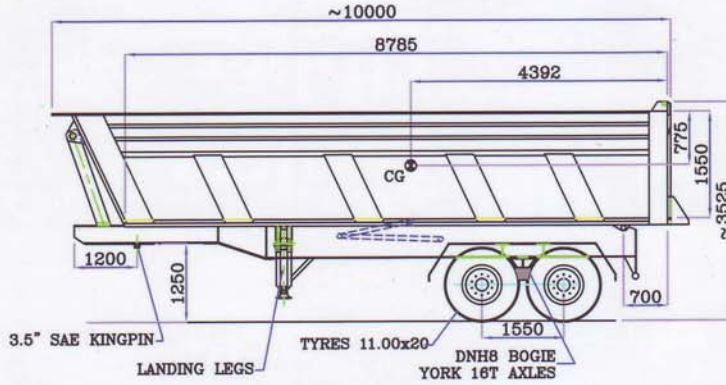
**Dutch Lanka Trailer Manufacturers Ltd**  
 No. 32, Wijayarama Road, Gonawala, Kelaniya, Sri Lanka.  
 Tel.: +94-11-2914206 / +94-11-2914505 Fax: +94-11-4408763  
 E-mail: dtt@stmet.lk  
[www.dutchlankatrailers.lk](http://www.dutchlankatrailers.lk)

# Tipper Trailers

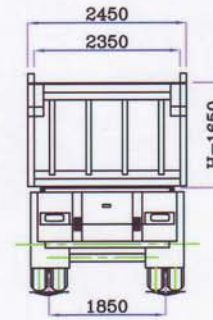
Ideal for bulk transportation of clinker, coal, metal, soil, sand, scrap, rubble, rock etc. and hence invaluable in the construction trade. This versatile product is manufactured using tensile steel and other material enabling it to withstand the transport of hard and abrasive material. These trailers can carry loads of up to 60 Tons. Axles are fitted according to the capacity and load.



# TIPPER TRAILERS

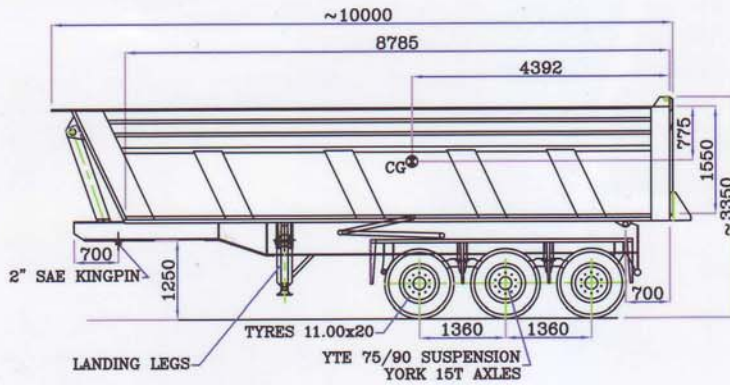


SIDE ELEVATION

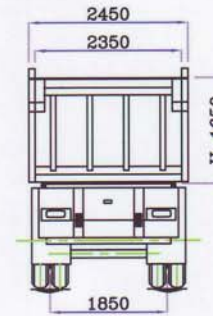


REAR ELEVATION

32 cu. m. TIPPER SEMI-TRAILER  
MODEL: DLTB-32/60T/612-B

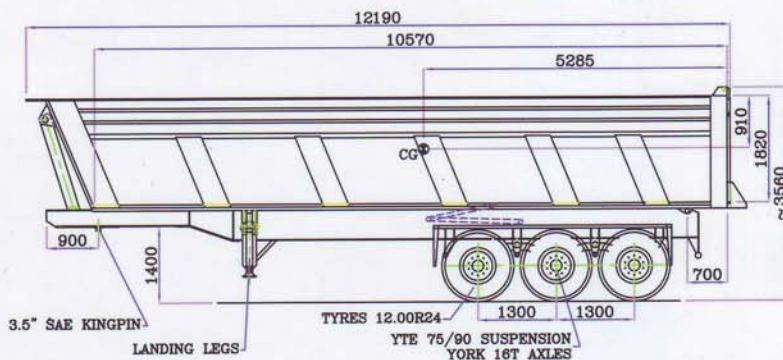


SIDE ELEVATION

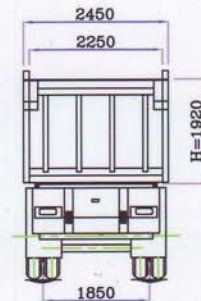


REAR ELEVATION

32 cu. m. TIPPER SEMI-TRAILER  
MODEL: DLTB-32/60T/612-A



SIDE ELEVATION



REAR ELEVATION

45 cu. m. TIPPER SEMI-TRAILER  
MODEL: DLTB-50T/825



**Dutch Lanka Trailer  
Manufacturers Ltd**

No. 32, Wijayarama Road, Gonawala, Kelaniya, Sri Lanka.  
Tel.: +94-11-2914206 / 2917539 / +94-11-2914505 Fax: +94-11-4408763  
E-mail: dlt@sltnet.lk  
[www.dutchlankatrailers.lk](http://www.dutchlankatrailers.lk)



# Car Carrier Trailers

Designed to transport light vehicles such as cars, vans, double cabs and jeeps. The Car Carrier Trailers comes with a comprehensive range of features. The number of decks, dimensions and the designing of the trailer could be done as per customer specifications.



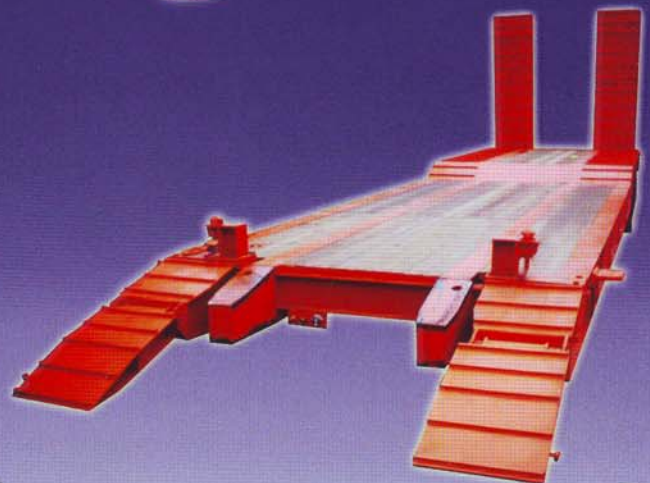
# Extendable Trailers

Extendable Trailers gives you that much needed 'extra length' which comes in handy when transporting cargo such as long concrete poles/rods, iron bars and other heavy material which are substantially long. Skeletal trailers, Flatbed trailers and even Low bed trailers could be designed and manufactured as Extendable trailers.



# Detachable Lowbed Trailers

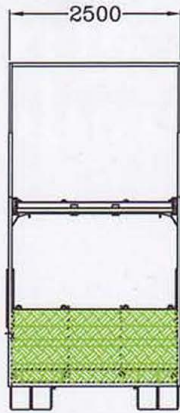
Detachable low-bed trailers or drop bed trailers as they are commonly known are ideal for front loading of heavy cargo such as earth moving and military cargo. Front loading is considered to be a safe and convenient method of handling and transporting heavy cargo.



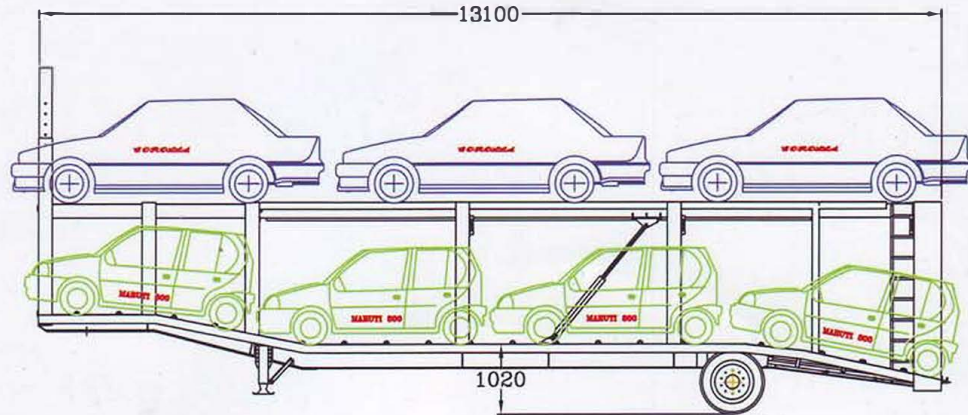
**SPECIAL PRODUCTS**



**Car Carrier Trailers**

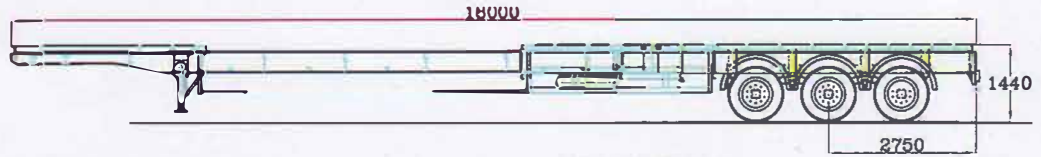


REAR ELEVATION

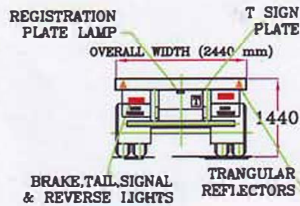


SIDE ELEVATION

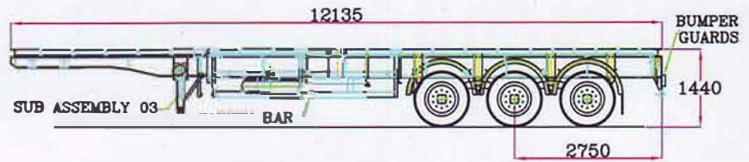
**Extendable Trailers**



SIDE ELEVATION

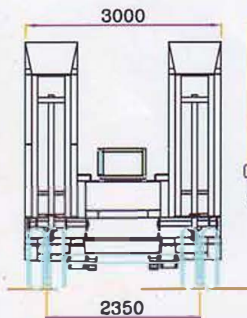


REAR ELEVATION

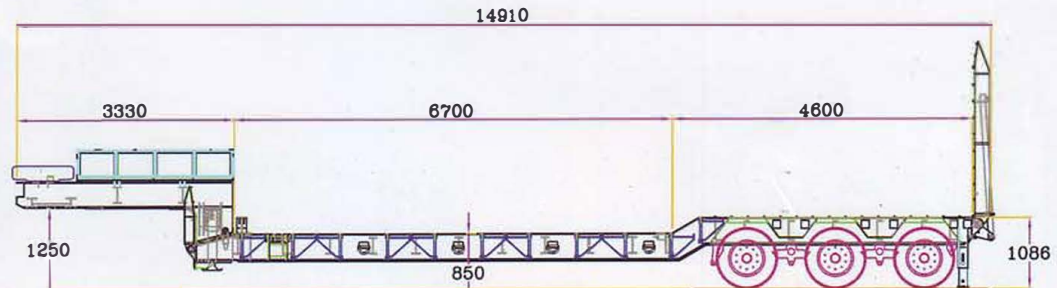


SIDE ELEVATION

**Detachable Lowbed Trailers**



REAR ELEVATION



SIDE ELEVATION



**Dutch Lanka Trailer  
Manufacturers Ltd**

3rd Floor, 35A, N M Perera Mawatha, Colombo 08, Sri Lanka. OR  
Nattandiya Road, Dankotuwa, Sri Lanka.  
Tel : +94-11-2886821, +94-11-2054844  
Fax : +94-11-2054844  
E-mail : sales@dlt.lk, prasanna@dlt.lk  
Web : www.dutchlankatrailers.lk